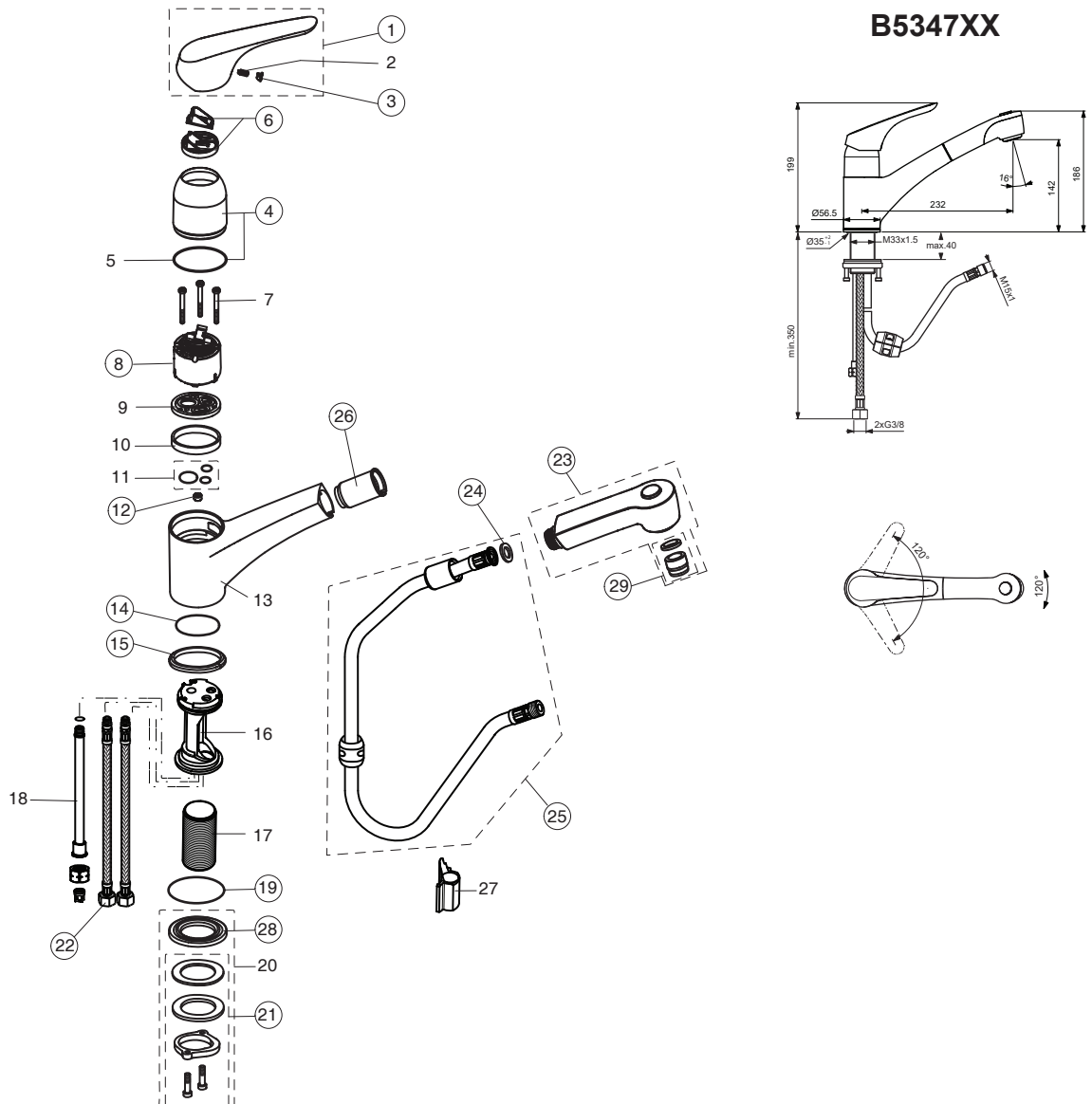


CERASPRINT NEW Combi



For XX = Coverage - Designate:
AA=chrome, GN=ultra/steel

For Instance:
B 960738 AA for chrome

Pos.	Signify	Spare parts-Nr	Quantity	Pos.	Signify	Spare parts-Nr	Quantity
1	Lever,w/logo-compl.	B960738XX	1 Pcs.	19	Assembly for kitchen	B960255NU	1 Pcs.
2	Screw M5x8	A963054NU	1 Pcs.	20	Connecting group	A962005NU	1 Set
3	Cap(Blue/Red)	B960229XX	1 Pcs.	21	Flex pexhose G3/8 L500	B960215XX	1 Pcs.
4	Cap with O-Ring	A860700NU	1 Pcs.	22	Shower complete	A961817NU	5 Pcs.
5	O-Ring Ø40x1	A960500NU	1 Pcs.	23	Rubber washer	B960460NU	1 Pcs.
6	Volume stop	A960911NU	1 Pcs.	24	Hose L1500mm-M15x1 plastic kit with weight	A960911NU	1 Pcs.
7	Screw M4x46	B960254NU	3 Pcs.	25	Schlauchfuehrung	B960452XX	1 Pcs.
8	Cartridge Ø47mm	B960509NU	1 Pcs.	26	Rosette decorative	B960509NU	1 Pcs.
9	Adapter		1 Pcs.	27	Aerator insert		
10	O-Ring-set		1 Pcs.	28			
11	Roller		1 Pcs.				
12	Body for kitchen		1 Pcs.				
13	O-Ring Ø36x2		1 Pcs.				
14	Gleitring 39.8-47.5-4		1 Pcs.				
15	Manifold COMBI		1 Pcs.				
16	Shank M33x1.5		1 Pcs.				
17+26	Manifold assembly		1 Pcs.				
18	O-Ring Ø42.52x2.62		1 Pcs.				